

## Fujifilm Digital Minilab Frontier 590 Main Specifications

	Input source	Print sizes	Paper widths	Frontier 590
Processing capacity (actual production)	135	3R	5"	Approx. 1800 prints/hr
		4R	6"	Approx. 1800 prints/hr
		12R	12"	Approx. 100 prints/hr
Processor Capacity (maximum capacity)	Advanced Photo System (IX240)	3R C/H/P-mixed-format prints; 25 exp. roll and index print	3.5"	Approx. 50 rolls/hr
		Media prints (digital still cameras with 2.5 million pixels)	3R	5"
Printable films (using standard or optional film carriers)	135	Color negative film: 135 and Advanced Photo System (IX240) (standard) / 110, 120, 220 (optional)	5"	Approx. 1700 prints/hr
		Color positive film: 135 strips, piece and mounting (optional)	6"	Approx. 2550 prints/hr
		Black-and-white film: 135 (standard) / Sepia (Advanced Photo System) (standard)	6"	Approx. 2400 prints/hr
Print sizes	3.5" x 5" — 12" x 18"			
Processing chemicals	Chemical system CP-49E			
Footprint space	■ Input unit (SP-3000) : Approx. 7.5ft <sup>2</sup> ■ Output unit (LP-5900 with 14 sorter) : Approx. 13ft <sup>2</sup> ■ Output unit (LP-5900/with optional 24 sorter) : Approx. 15ft <sup>2</sup>			

### SCANNER & IMAGE PROCESSOR

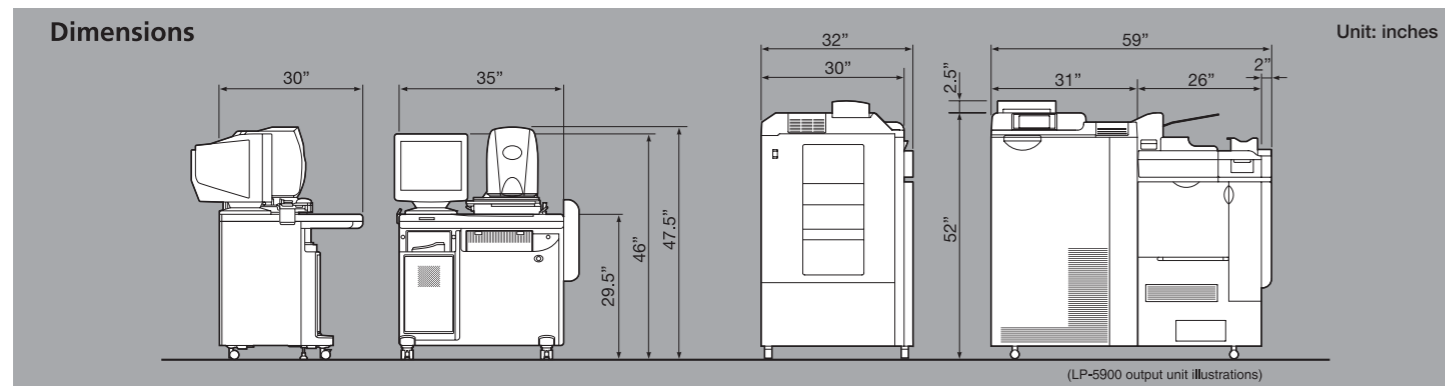
Input unit	Frontier 550, Frontier 570 and Frontier 590 (SP-3000)
Type:	Floor-type, independent scanner.
Scanning section:	Area CCD with precision pixel shifting system
Film carriers:	<ul style="list-style-type: none"> <li>135/IX240 automatic film carrier (standard)</li> <li>135F/P/Hv/135H (optional); Color/black-white negative, color reversal; Piece and strip film.</li> <li>IX240: Color/sepia negative, color reversal; Cartridge and strip film.</li> <li>Multi-film carrier MFC10AY (optional)</li> <li>110, Advanced Photo System (IX240), 135F, 135P, 135 half, 135FP, 120/220 (6 x 4.5, 6 x 6, 6 x 7, 6 x 8, 6 x 9), 135 reversal mount.</li> </ul>
Image processing:	Optimal color reproduction processing, color gradation control, facial expression enhancement, hyper-tone processing, hyper-sharpness processing, monotone finishing, retouching function (dust or scratches on film can be erased automatically in printing), soft focus, red-eye correction processing, and others.
Display:	17-inch CRT or LCD color display Multi-frame display capability (standard 6-frame display, can be set to display single frame or six frames)
Input light source:	LED
Power requirements:	AC100-240V (50/60Hz), 1.0KVA
Dimensions:	35"(W) x 30"(D) x 48"(H)
Weight:	Approx. 260 lbs (with NC 100AY and 17-inch CRT display).

### LASER PRINTER/PAPER PROCESSOR

Output unit	Frontier 590 (LP-5900)
Type:	Floor-type, normal light operation (laser printer, processor, cutter, sorter in one unit).
Exposure system:	Scanning exposure system using RGB lasers.
Paper magazines:	Two switchable paper magazines (standard accessory).
Paper:	FujiColor Crystal Archive Type II paper
Paper widths:	3.5", 4", 5", 6", 8", 10", 12"
Back printing:	Two 40-character lines of backside print information.
Index print:	Color index print and normal prints can be printed from Advanced Photo System/135 (color negative and sepia) film in one pass (by RGB laser exposure).
Printer sorter:	SU1400AY, sorting capacity: 14 orders of C/H/P-mixed format prints. SU2400AY, (Option) sorting capacity: 24 orders of C/H/P-mixed format prints.
Printer condition setup:	Semi-automatic calibration by AD300 calibrator.
Processor carriage:	Multi-line, sheet carriage.
Processing time:	Dry-to-dry: 1 min. 22 sec.
Power requirements:	AC200-240V (50/60Hz) Single-phase 24A Three-phase four wire, 17A Approx. 4.8KVA
Dimensions:	59" (W) x 32" (D) x 54.5" (H) with 24-order sorter 77.4" (W) x 33.5" (D) x 54.5" (H)
Weights:	with 14-order sorter — Approx. 1,036lbs (1,146lbs during actual operation) with 24-order sorter — Approx. 1,111lbs (1,221lbs during actual operation)

Performance varies depending on processing capabilities of the Imaging Controller.  
Specifications are subject to change without notice.  
All brand names or trademarks are property of their respective owners.

UL cUL CE The Frontier 590 has received the UL/CUL/CE Marks for meeting high safety standards.



**FUJIFILM**  
FUJI PHOTO FILM CO., LTD.  
200 Summit Lake Drive, Valhalla, NY 10595

FPP590SS ©Fuji Photo Film USA, Inc.

**FUJIFILM**  
I&I—Imaging & Information

# DIGITAL LAB SYSTEM Frontier 590

Transform Your Workflow With Reliable High-Speed Performance



Processing capacity (from film, actual production)

**1,800 prints/hour(4R size)**

Single-order processing time

**2' 19" (24 prints/4R size)**

Footprint (output unit)

■ 13 ft<sup>2</sup> with 14 unit sorter  
■ 15 ft<sup>2</sup> with optional 24 unit sorter (SU 2400AY)

Processor capacity (maximum capacity)

**2,400 prints/hour(4R size)**

Print sorter

14 order standard  
24 order (optional)

Power consumption

**296kWh**

Next-generation high-performance Frontier Digital Lab System boasts unprecedented high-capacity output of 2,400 prints (4R size) per hour.



\*Shown with optional SU 2400 AY Sorter